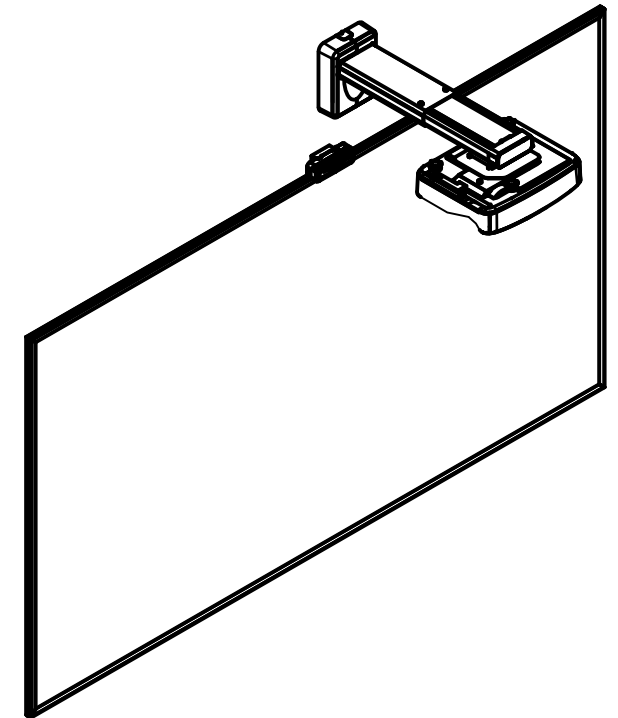
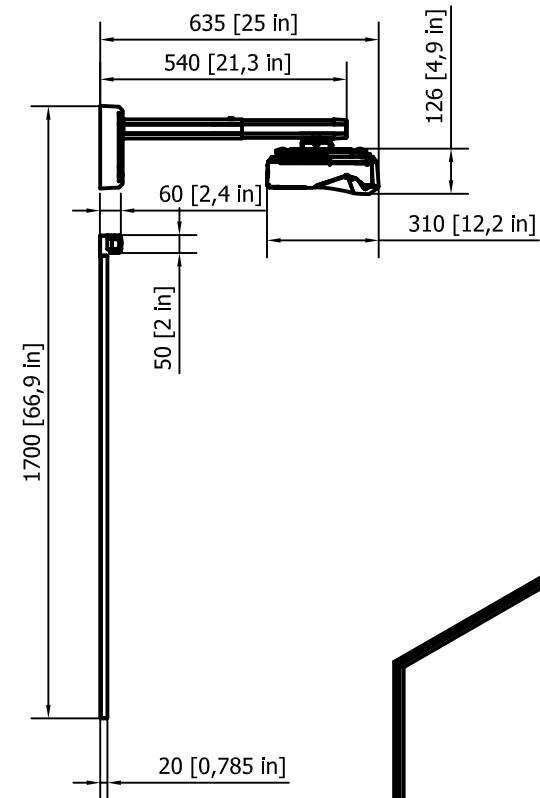



* Optional, Laser Curtain



Order No.:		Customer:		
Total Weight: N/A		Material:		
 dnp denmark as Skuegangan 2 DK-2690 Karlstunde Denmark Tel.: +45 46 16 51 00 Fax: +45 46 16 52 50 Website: www.dnp.dk	Scale	Date	Sign.	
	1:15	21-08-2015	sn	
Description: dnp LaserPanel Touch Front		Sheet: 1 of 2	Format: A3	
		Drawing No: dnp LaserPanel Touch KIC Product no.LP-HD100T		